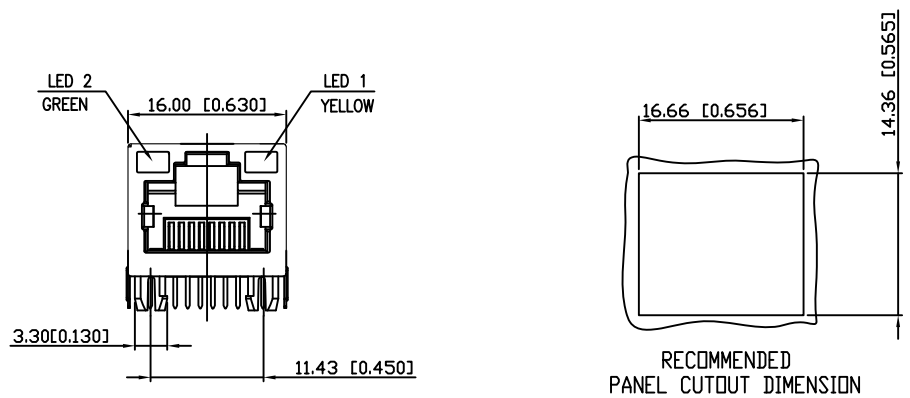
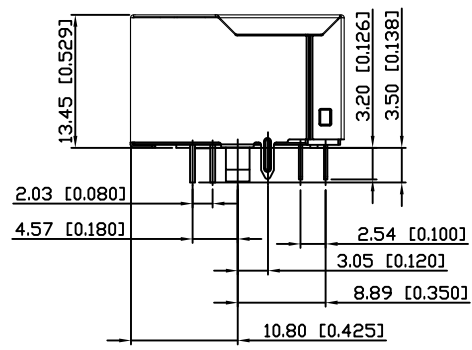
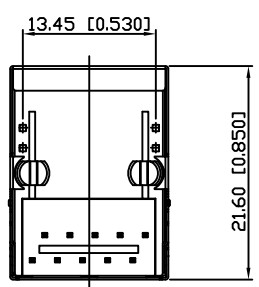


REV.	ECN.NO.	NAME	DATE
A	NEW	JY Lee	2016.11.15

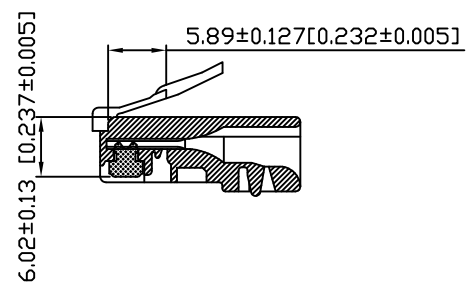
# 1. MECHANICAL DIMENSIONS :



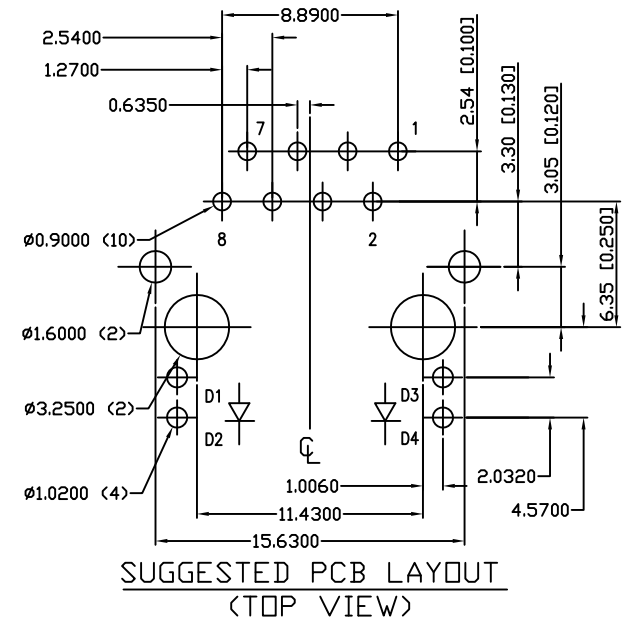
RECOMMENDED PANEL CUTOUT DIMENSION



# RECOMMENED PLUG DIMENSION:



# 2. PCB LAYOUT :



SUGGESTED PCB LAYOUT (TOP VIEW)

# NOTES:

- MATERIAL:  
HOUSING: HIGH TEMPERATURE PA46 UL94V-0 BLACK  
CONTACTS: T=0.35mm,PHOSPHOR BRONZE,  
NICKEL 50µ\*MIN UNDERPLATE ON ALL AREA,  
TIN 80µ\*MIN ON TERMINATION END,  
6U GOLD ON CONTACT AREA.  
SHIELD: T=0.20mm,NICKEL 50µ\*MIN PLATING
- OPERATING TEMPERATURE : 0°C~70°C  
STORAGE TEMPERATURE : -40°C~85°C
- CAVITY CONFORMS TO FCC RULES AND REGULATIONS PART 68,SUBPART F.

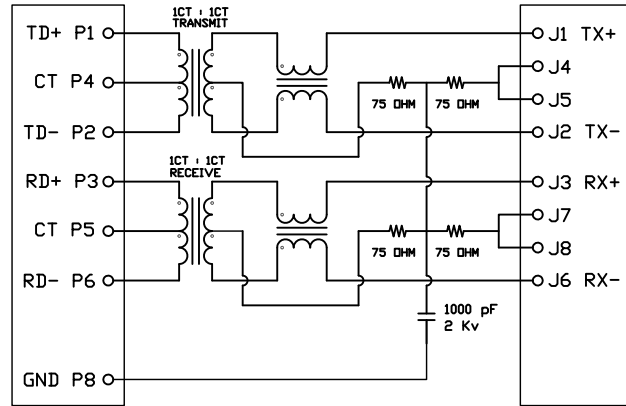
TOLERANCE UNSPECIFIED . .0 .00 .000 ANGLE MANUFACTURING COPY		± 0.50 ± 0.38 ± 0.25 ± 0.10 ± 3°		<h2 style="text-align: center;">Coorle Technology</h2> <p style="text-align: center;">TITLE: RJ45 Connectors, W/LED, 8P, 8C, 100 Mbps /FILTER</p>	
DRAWN BY:	SIZE: A4	UNIT: MM	PART NO. HRJK-B03C01W015NL		
CHECKED BY:	SCALE: 1:1	PROJECTION	REV.: A		
APPROVED	DWG . PATH E\RJ\CH\	SHEET 1 OF 3			

REV.	ECN.NO.	NAME	DATE
A	NEW	JY Lee	2016.11.15

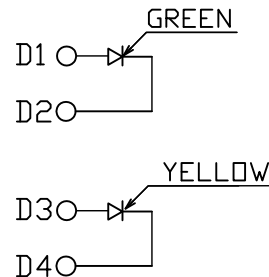
### 3. SCHEMATIC:

CONNECTOR SOLDER SIDE

RJ45 CONTACT SIDE



### 5. LED CONFIGURATION :



### 4. ELECTRICAL CHARACTERISTICS :

TEST NOTES:(25±5°C)

1.TR:(100KHz,0.1V);

PINS:(P1-P2):(J1-J2)=1:1±3%

PINS:(P3-P6):(J3-J6)=1:1±3%

2.LX:(100KHz,100mV,8mA, DC Bias)

PINS: (P1,P2),(P7,P8)=350uH MINIMUM

3.DCR:

PINS:(J1-J2),(J3-J6)= 1.2 OHMS MAXIMUM

4.HIPOT:

PINS(P1,P4,P2)TO(J1,J2)=1500VAC FOR 60 SECONDS

PINS(P3,P5,P6)TO(J3,J6)=1500VAC FOR 60 SECONDS

5.INSERTION LOSS:

-1.0dB MAXIMUM AT 0.3MHz TO 100MHz;

6.RETURN LOSS:

-20dB MINIMUM AT 1MHz TO 30MHz;

-15dB MINIMUM AT 30MHz TO 60MHz

-10dB MINIMUM AT 60MHz TO 80MHz

7.CROSS TALK:

-30dB MINIMUM AT 1MHz TO 100MHz

8.COMMON TO COMMON MODE REJECTION:

-30dB MINIMUM AT 1MHz TO 100MHz

TOLERANCE UNSPECIFIED		<b>Coorle Technology</b>			
.0	± 0.50				
.00	± 0.38	DRAWN BY:	SIZE: A4	UNIT: MM	PART NO. HRJK-B03C01W015NL
.000	± 0.25	CHECKED BY:	SCALE: 1:1	PROJECTION	REV: A
ANGLE	± 3.°	APPROVED	DWG . PATH	E\RJ\CH\	SHEET:2OF3
MANUFACTURING COPY					